



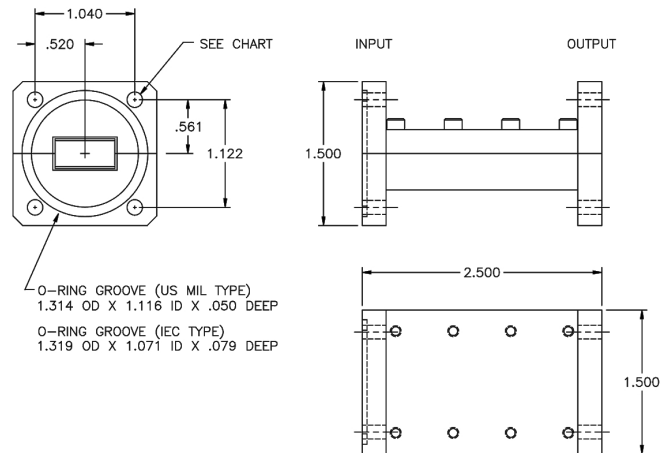
Ku (Universal) Band Compact Transmit Reject Filter

Model 16522

Designed for full Ku-Band downlink reception and uplink suppression. This compact filter is ideal for VSAT applications around the world.

Specifications:

Passband:	10.70 - 12.75 GHz
Insertion Loss:	0.1 dB Max
VSWR:	1.20:1 Max
Reject Band:	13.75 - 14.50 GHz
Rejection:	70 dB Min
Operating Temp. Range:	-55°C TO +70°C
Flanges:	See Chart
Weight:	0.25 lbs (0.11 Kg)
Dimensions:	2.5" x 1.5" x 1.5" (63mm x 38mm x 38mm)
Finish:	White Epoxy



MODEL	INPUT FLANGE (WR75)		OUTPUT FLANGE (WR75)		O-RING GROOVE
	FLANGE	HOLE DIA/THREAD	FLANGE	HOLE DIA/THREAD	
16522	COVER	.161/.166	GROOVED	M4x0.7-6H	US MIL TYPE
16522-G/F	GROOVED	Mx0.7-6H	COVER	.161/.166	US MIL TYPE
16522F	COVER	.161/.166	COVER	.161/.166	
16522-1	COVER	.161/.166	GROOVED	.161/.166	US MIL TYPE
16522G	GROOVED	.144	GROOVED	.144	US MIL TYPE
16522H*	GROOVED	.161/.166	GROOVED	.161/.166	US MIL TYPE
16522-2	COVER	.144	GROOVED	.144	US MIL TYPE

16522H HAS 90° BEND

MICROWAVE FILTER CO., INC.
 6743 KINNE STREET, E. SYRACUSE, NY 13057
 E-Mail: mfcsales@microwavefilter.com

800-448-1666 • 315-438-4700
 Web: www.microwavefilter.com