



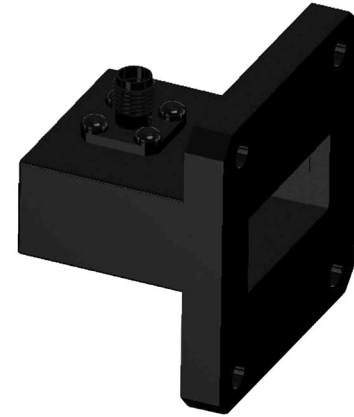
X-Band Waveguide to Coax Adaptor

Model 18159

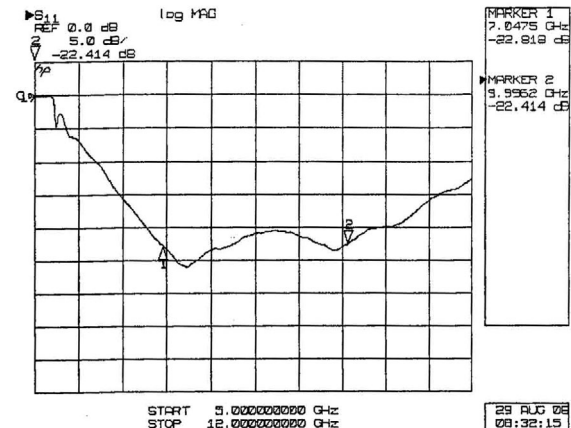
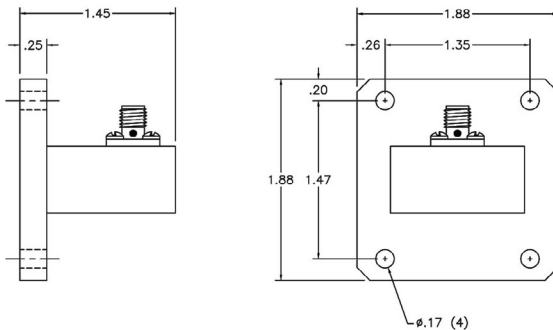
This compact adaptor can be used for X-band satcom receive (downlink) and/or transmit (uplink) applications.

Specifications:

Passband:	7.05 - 10 GHz
Passband VSWR:	1.22:1 Typ
Impedance:	50 ohms
Connector:	SMA-female
Flanges:	WR112 Cover
Overall Length:	1.45" (37 mm)
Finish:	Black Lacquer



- *Alternate Connectors Are Available Upon Request*
- *Alternate Flanges Are Available Upon Request*



MICROWAVE FILTER CO., INC.
6743 KINNE STREET, E. SYRACUSE, NY 13057
E-Mail: mfcsales@microwavefilter.com

800-448-1666 • 315-438-4700
Web: www.microwavefilter.com