



# K-Band Receive Reject Filter

## Model 18380

Designed for transmit applications, this filter provides deep rejection of the receive band with minimal effect on transmissions.

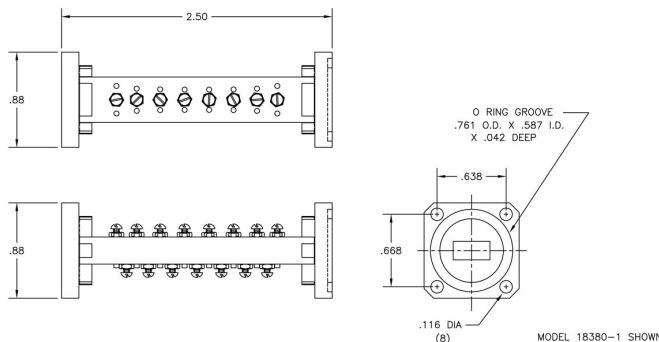
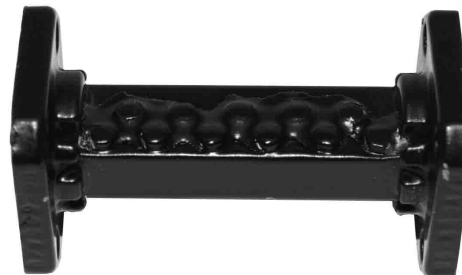
### Specifications:

Passband:	27.5 - 31 GHz
Insertion Loss:	0.10 dB Typ
VSWR:	1.17:1 Max
Group Delay:	0.1 nS Max
Reject Band:	18.2 - 22 GHz
Rejection:	75 dB Min
Flanges:	See chart
Dimensions:	2.50" x 0.88" x 0.88" (63 mm x 22 mm x 22 mm)
Finish:	Flat Black Lacquer

- For **WR28 Cover Flange Configuration** - See model **18485**

### Flange Configurations

Model #	Input	Output
18380	WR34 Flat Cover	WR28 Flat Cover
18480-1	WR34 Flat Cover	WR28 Grooved Cover



**MICROWAVE FILTER CO., INC.**  
 6743 KINNE STREET, E. SYRACUSE, NY 13057  
 E-Mail: [mfcsales@microwavefilter.com](mailto:mfcsales@microwavefilter.com)

800-448-1666 • 315-438-4700  
 Web: [www.microwavefilter.com](http://www.microwavefilter.com)