



# Ku(Mid/High)Band Receive Reject Filter

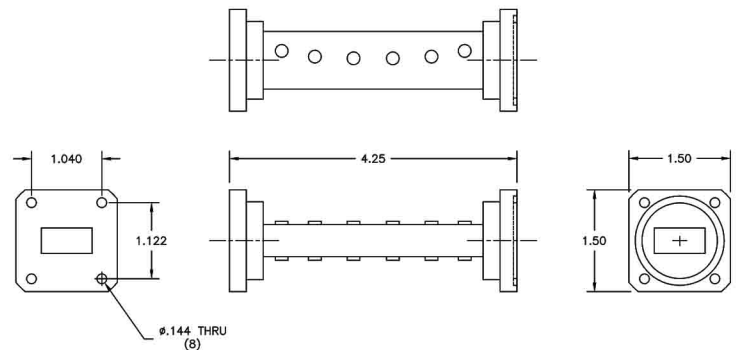
## Model 18443

This filter was designed specifically to reject the Ku-(mid/high) receive band with minimal effect on the Ku-(mid/high) transmit band.

- *Ideal for Higher Power Transmit Applications.*
- *Alternate Flange Configurations are Available Upon Request*

### Specifications:

Passband:	14.0 – 14.5 GHz (Ku-Mid/High Transmit Band)
Insertion Loss:	0.15 dB Typ
VSWR:	1.20:1 Typ
Power (CW):	1000 Watts Max
Reject Band:	11.2 - 12.2 GHz (Ku-Mid/High Receive Band)
Rejection:	80 dB Min
Flanges:	WR75 Cover & Grooved
Weight:	0.5 lbs. (0.22 kg)
Dimensions:	4.0" x 1.5" x 1.5" (102mm x 38mm x 38mm)
Finish:	Gloss White Lacquer



**MICROWAVE FILTER CO., INC.**  
6743 KINNE STREET, E. SYRACUSE, NY 13057  
E-Mail: [mfcsales@microwavefilter.com](mailto:mfcsales@microwavefilter.com)

800-448-1666 • 315-438-4700  
Web: [www.microwavefilter.com](http://www.microwavefilter.com)