



# Multi-Purpose C-Band Receive Filter Assembly

## Model 19524

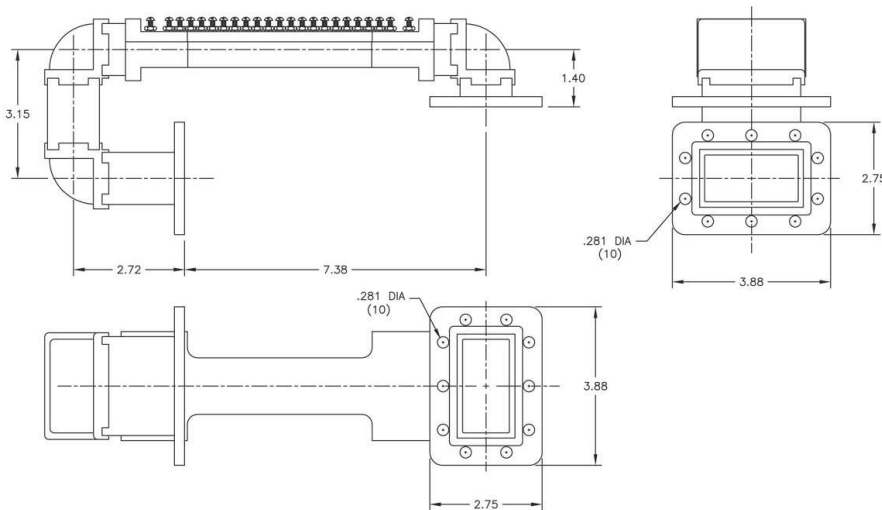
This versatile filter not only rejects the C-band transmit band (5.825-6.725 GHz), it also rejects transmissions from other potential sources of interference, that standard TRFs do not.

Ideal for use at high-density receive sites, the model 19524 filter also provides excellent rejection of these other bands:

Maritime Radionavigation .....	3 - 3.1 GHz
WIMAX .....	3.4 - 3.65 GHz
Wireless Services (Point-Multipoint) .....	4.55 - 4.9 GHz
X-band .....	7.25 - 8.4 GHz
Maritime & Aeronautical Radionavigation .....	8.5 - 10.68 GHz

### Specifications:

Passband:	3.8 - 4.2 GHz
Passband Loss:	0.3 dB Typ; 0.6 dB Max
Passband VSWR:	1.33:1 Max
Rejection:	50 dB Min from 2.0 - 3.25 GHz 70 dB Min @ 3.50 GHz 45 dB Min @ 3.65 GHz 50 dB Min from 4.45 - 5.0 GHz 80 dB Min from 5.25 - 10.68 GHz
Flanges:	CPR229G
Dimensions:	See Drawing
Finish:	Black Lacquer Paint



**MICROWAVE FILTER CO., INC.**  
6743 KINNE STREET, E. SYRACUSE, NY 13057  
E-Mail: [mfcsales@microwavefilter.com](mailto:mfcsales@microwavefilter.com)

800-448-1666 • 315-438-4700  
Web: [www.microwavefilter.com](http://www.microwavefilter.com)