



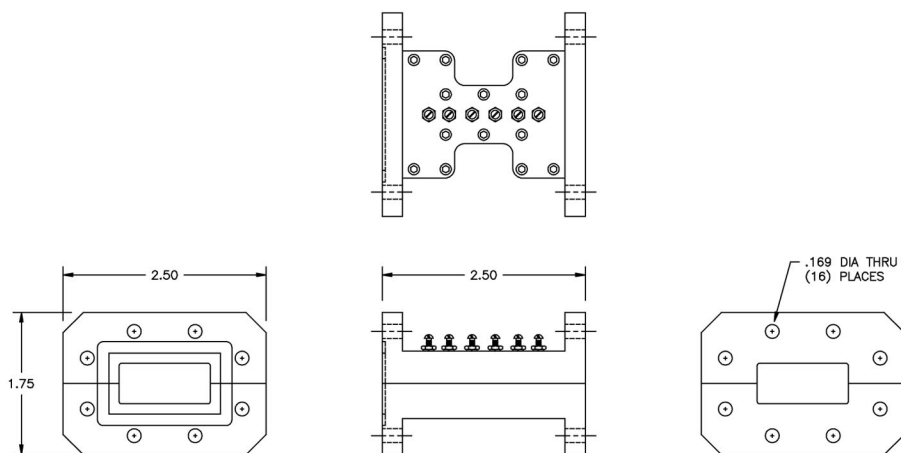
X-Band LEO (Low Earth Orbit) Band Receive Filter

Model 19631

This bandpass filter is used for special receive applications in the LEO (Low Earth Orbit) satellite X-band (e.g. – Weather Satellite Monitoring) and provides excellent rejection of undesired transmissions between 9.5 – 15.0 GHz (e.g. – Radar, Ku-band Uplink).

Specifications:

Passband:	7.75 – 8.40 GHz
Passband Insertion Loss:	0.2 dB Approx
Passband VSWR:	1.25:1 Max
Passband Delay Variation:	0.5 nS Max
Rejection:	45 dB Typ @ 7.00 GHz 50 dB Min from 9.50 – 10.70 GHz 75 dB Typ from 10.70 – 15.00 GHz
Flanges:	CPR112G (Grooved) – Input CPR112F (Flat) - Output
Dimensions:	2.50" x 2.50" x 1.75" (64mm x 64mm x 44mm)
Finish:	Flat Black Lacquer



MICROWAVE FILTER CO., INC.
6743 KINNE STREET, E. SYRACUSE, NY 13057
E-Mail: mfcsales@microwavefilter.com

800-448-1666 • 315-438-4700
Web: www.microwavefilter.com