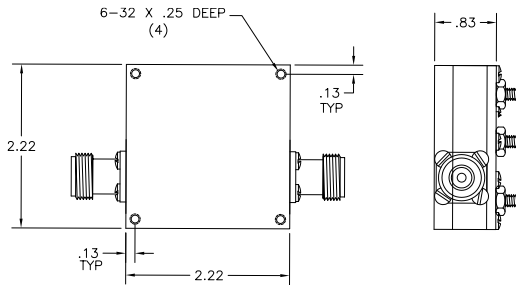


ISM (2.4 GHz) Single Channel Bandpass Filters

MFC offers a variety of single channel bandpass filters for use in Wi-Fi networks operating within the (2.4-2.5) GHz ISM band.

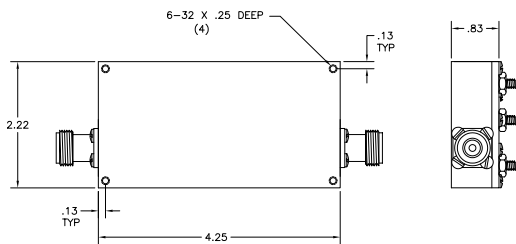
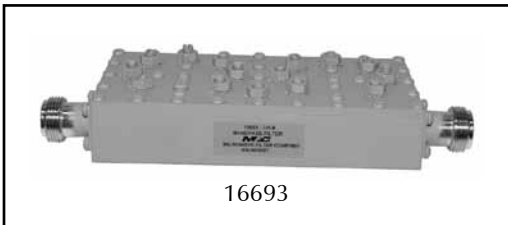


Model 16692 Single Channel Bandpass Filter

This compact bandpass filter isolates the desired channel from co-located, non-overlapping channels and other transmission sources.

Specifications:

Channel Option	1, 3, 6, 9, 11
Channel Bandwidth	22 MHz
Channel Insertion Loss	2 dB Typ
Channel Return Loss	15 MHz Min
Bandwidth (3dB)	30 MHz
Rejection (20 dB Typ)	±25 MHz from channel center
Impedance	50 ohms
Power Rating	50 Watts (CW)
Connectors	N Female
Operating Temperature Range	-40°C to +85°C
Dimensions	2.2"x2.2"x0.8"

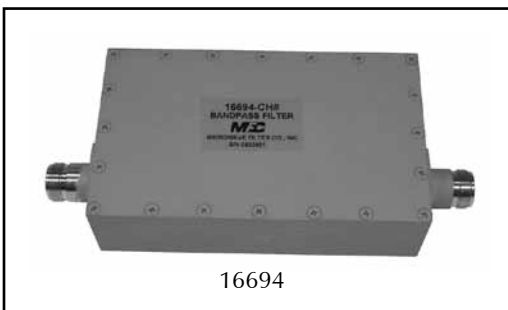


Model 16693 Single Channel (Ultra-Selective) Bandpass Filter

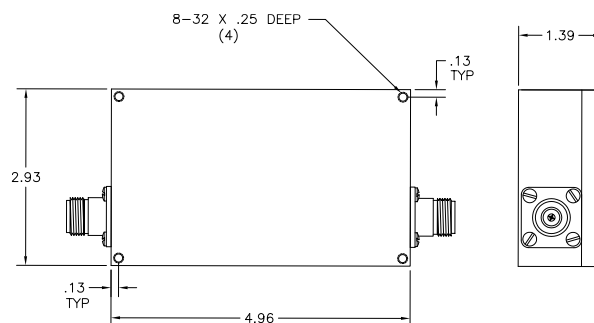
This bandpass filter utilizes additional poles to isolate the desired channel from co-located, overlapping channels in addition to other transmission sources.

Specifications:

Channel Option	1, 3, 6, 9, 11
Channel Bandwidth	22 MHz
Channel Insertion Loss	3 dB Typ
Channel Return Loss	15 dB Min
Rejection (20 dB Typ)	±15 MHz from channel center
Impedance	50 ohms
Power Rating	50 Watts (CW)
Connectors	N Female
Operating Temperature Range	-40°C to +85°C
Dimensions	4.3"x2.2"x0.8"



... and for those unenclosed, outdoor applications we also offer a weatherized version, **Model 16694**, with the same electrical performance as the model 16693 filter.



MICROWAVE FILTER COMPANY, INC.

6743 Kinne Street, East Syracuse, NY 13057 • Toll Free: 800-448-1666 or 888-206-6610

www.microwavefilter.com • email: mfcsales@microwavefilter.com • International: 315-438-4700