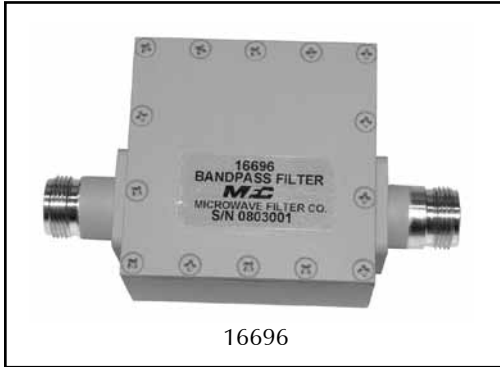


# ISM (5.8 GHz) Full Band Bandpass Filter

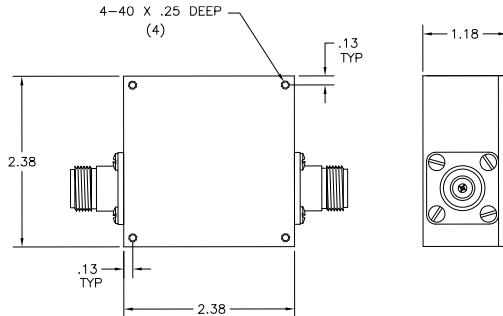


## Model 16696

This compact bandpass filter isolates the full ISM (5.8 GHz) band from other transmission sources above and below the band, and is ideal for high data rate applications.

## Specifications:

Passband .....	5725-5875 MHz
Passband Loss .....	0.5 dB Max
Rejection .....	10 dB Typ @ 5610 MHz
	10 dB (Min) @ 6000 MHz
Power Rating .....	50 Watts (CW)
Impedance .....	50 ohms
Connectors .....	N Female
Dimensions .....	2.3" x 2.3" x 1.1"



**MICROWAVE FILTER CO., INC.**  
6743 KINNE STREET, E. SYRACUSE, NY 13057  
E-Mail: [mfcsales@microwavefilter.com](mailto:mfcsales@microwavefilter.com)

800-448-1666 • 315-438-4700  
Web: [www.microwavefilter.com](http://www.microwavefilter.com)