



VHF Compact Mobile Duplexers 19181 Series

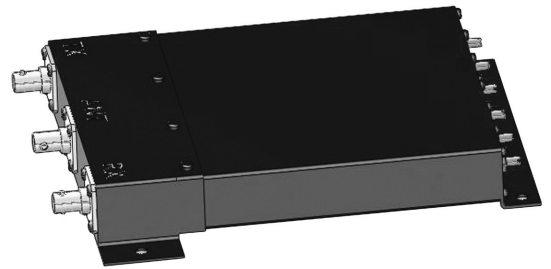
These duplexers provide excellent performance in mobile or base applications.

Each unit is designed with a minimum of 4 MHz separation between the low frequency (Fl) and the high frequency (Fh) and achieves a minimum 75 dB of mutual isolation.

All duplexers are built and shipped according to customer-specified frequencies.

Specifications:

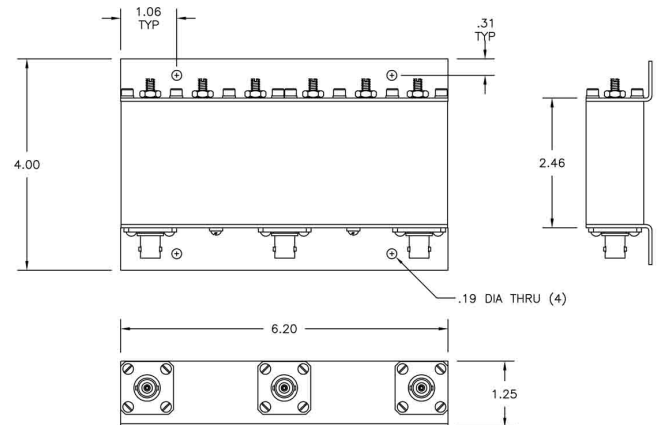
Frequency Range:	148 - 174 MHz
Frequency Separation:	4 MHz Min
Input Power:	50 Watts Max
Insertion Loss (Fl/Fh to Antenna):	1.4 dB Typ
Mutual Isolation:	75 dB Min
VSWR:	1.5:1 Max
Operating Temperature Range:	-20° C to +60° C
Impedance:	50 Ohms
Connectors:	N(1) or BNC(2) - female
Dimensions:	6.20" x 1.25" x 4.00" (157mm x 32mm x 102mm)



Ordering Information: 19181-Fl/Fh/Connector Type

Example: 19181-150/154/2

**Fl = 150 MHz / Fh = 154 MHz / Connector Type =
BNC-female**



MICROWAVE FILTER CO., INC.
6743 KINNE STREET, E. SYRACUSE, NY 13057
E-Mail: mfcsales@microwavefilter.com

800-448-1666 • 315-438-4700
Web: www.microwavefilter.com