



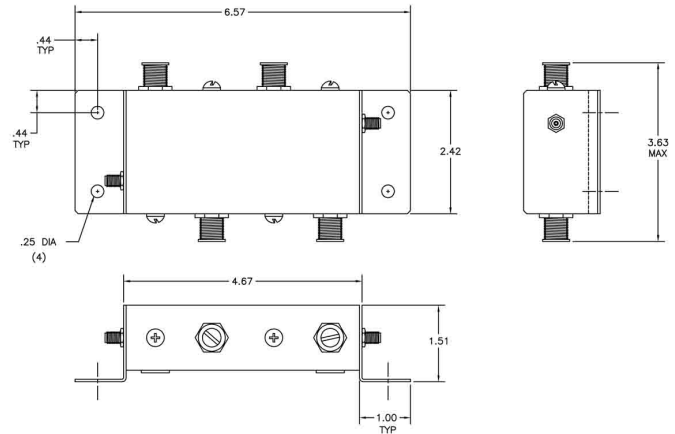
L-Band Telemetry Bandpass Filters

Series 18756

This bandpass filter isolates this telemetry band from other surrounding L-band operations.

Specifications:

Passband:	1435 - 1540 MHz
Passband Loss:	0.2 dB Typ
Passband VSWR:	1.15:1 Typ
Rejection:	20 dB Typ @ 1360/1610 MHz 40 dB Typ @ 1270/1710 MHz 60 dB Typ @ 1100 MHz 70 dB Typ @ 2200 MHz
Impedance:	50 ohms
Connectors:	SMA-female
Dimensions:	6.6" x 3.6" x 1.5" (168mm x 91mm x 38mm)



MICROWAVE FILTER CO., INC.
6743 KINNE STREET, E. SYRACUSE, NY 13057
E-Mail: mfcsales@microwavefilter.com

800-448-1666 • 315-438-4700
Web: www.microwavefilter.com