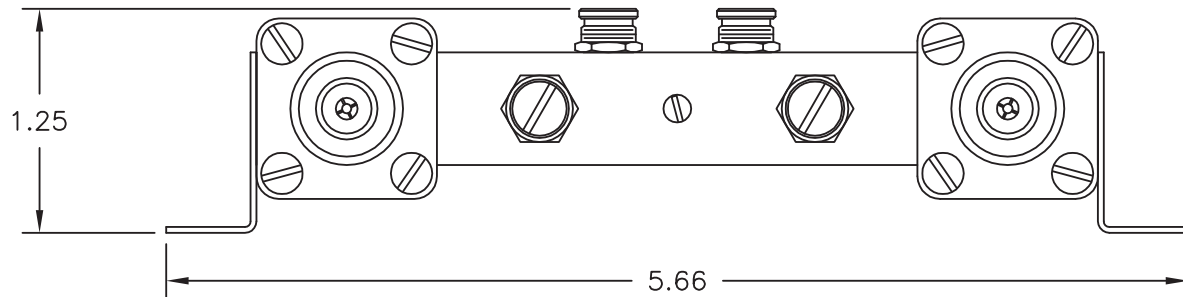
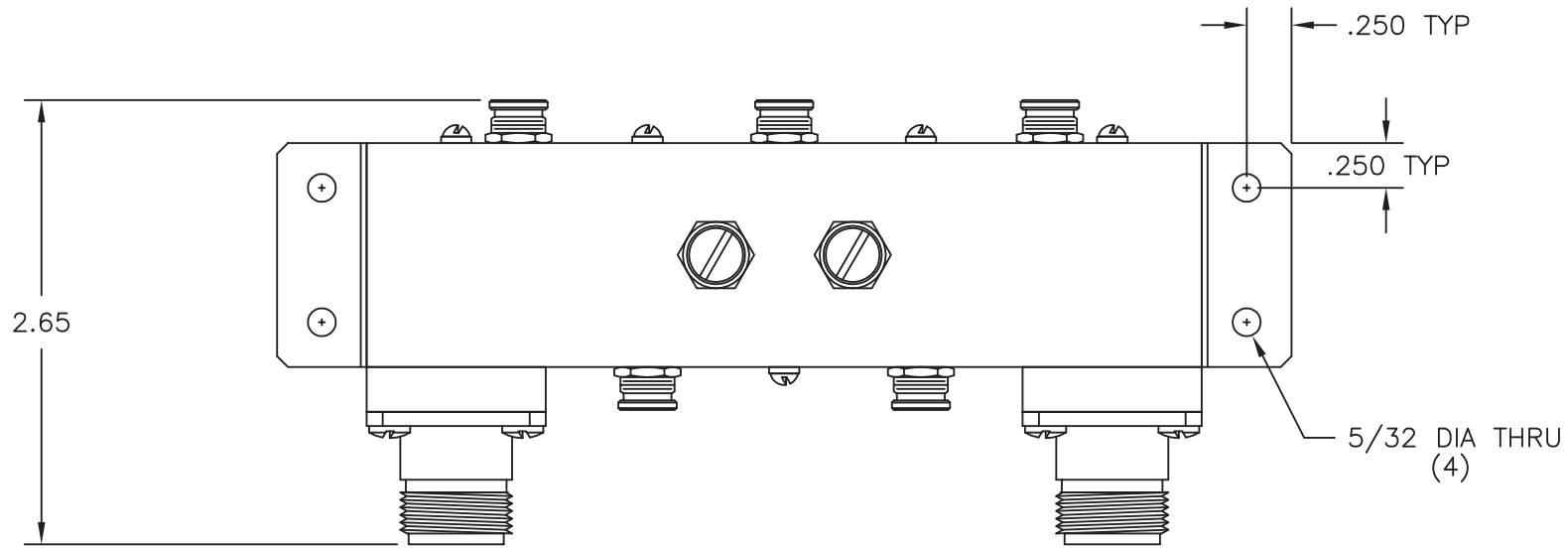


THIS DRAWING IS A SOURCE CONTROL DRAWING AND IS PROPRIETARY TO MICROWAVE FILTER CO., INC. AND
MAY NOT BE DUPLICATED OR DISTRIBUTED WITHOUT WRITTEN PERMISSION OF MICROWAVE FILTER CO., INC.
THIS DRAWING ALSO DESCRIBES TRADE SECRETS AND IS THE EXCLUSIVE PROPERTY OF MICROWAVE FILTER CO., INC

REVISION			
LTR	ECN	DATE	APPR'D



SPECIFICATIONS

PASSBAND: 2500–2548 MHz
PASSBAND LOSS: 1.0 dB TYP
PASSBAND VSWR: 1.5:1 TYP
REJECTION: 60 dB MIN AT 2400 MHz
40 dB TYP AT 2444 MHz
40 dB TYP AT 2596 MHz
IMPEDANCE: 50 OHMS
CONNECTORS: TYPE N FEMALE

ALL TOLERANCES ± 0.03
UNLESS SPECIFIED

ENVELOPE DRAWING

MFC MICROWAVE FILTER CO. INC. 6749 KONNE ST. E. SYRACUSE, N.Y. 13057		FSCM27834	
DATE 9/24/13		TITLE	
DWN BY MW		FILTER, BANDPASS	
ENGINEER TS		DRAWING NO. 18773	REV —