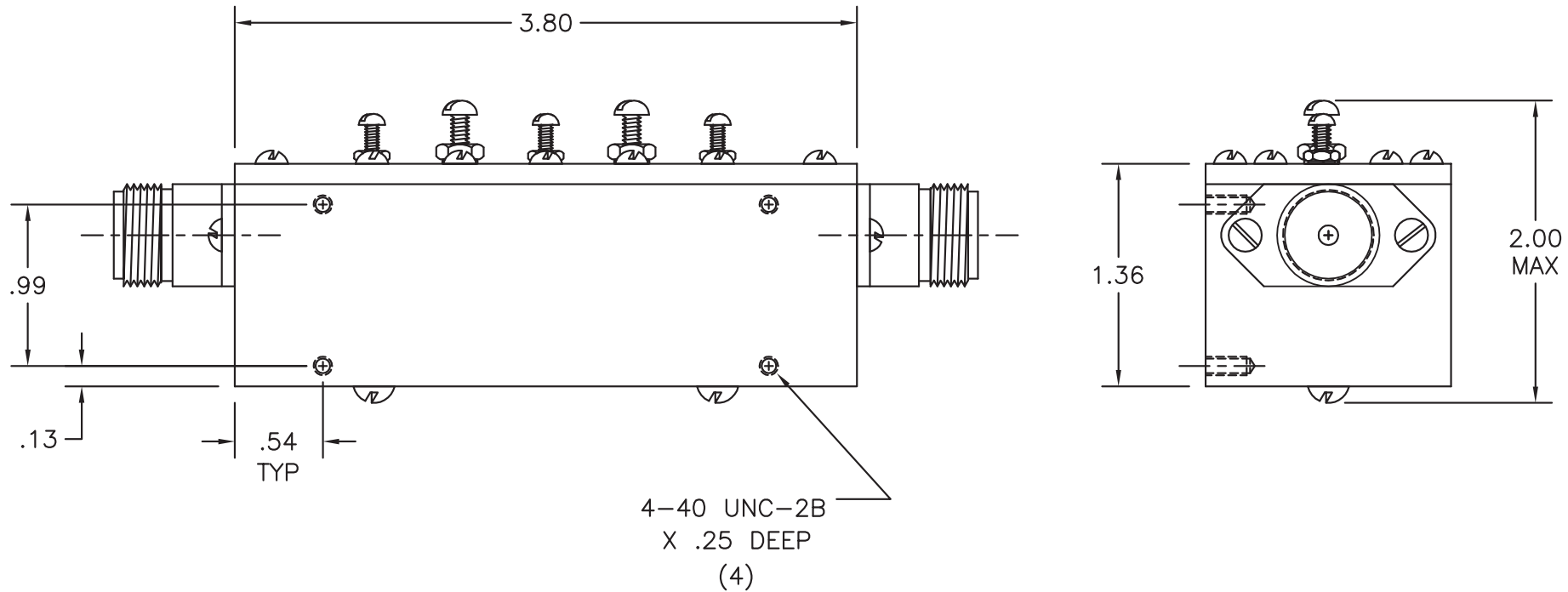


THIS DRAWING IS A SOURCE CONTROL DRAWING AND IS PROPRIETARY TO MICROWAVE FILTER CO., INC. AND  
MAY NOT BE DUPLICATED OR DISTRIBUTED WITHOUT WRITTEN PERMISSION OF MICROWAVE FILTER CO., INC.  
THIS DRAWING ALSO DESCRIBES TRADE SECRETS AND IS THE EXCLUSIVE PROPERTY OF MICROWAVE FILTER CO., INC

REVISION			
LTR	ECN	DATE	APPR'D



SPECIFICATIONS

CENTER FREQUENCY OPTION ( $F_o$ ): 2527-2587 MHz  
PASSBAND:  $F_o, \pm 3$  MHz MIN  
PASSBAND LOSS: 2.5 dB TYP, 3.0 dB MAX  
PASSBAND VSWR: 1.5:1 MAX  
PASSBAND POWER (CW): 2 WATTS MAX  
REJECTION: 65 dB TYP @ 2400 MHz  
25 dB TYP @ 2572 MHz  
IMPEDANCE: 50 OHMS  
CONNECTORS: N FEMALE

UNLESS SPECIFIED  
ALL TOLERANCES  $\pm .030$

ENVELOPE DRAWING

<b>MFC</b> MICROWAVE FILTER CO. INC. 8743 KINNE ST. E. SYRACUSE, N.Y. 13057		FSCM27834	
DATE 9/25/13		TITLE	
DWN BY MW		FILTER, BANDPASS	
ENGINEER T.K.		DRAWING NO. 18778-Fo	REV -