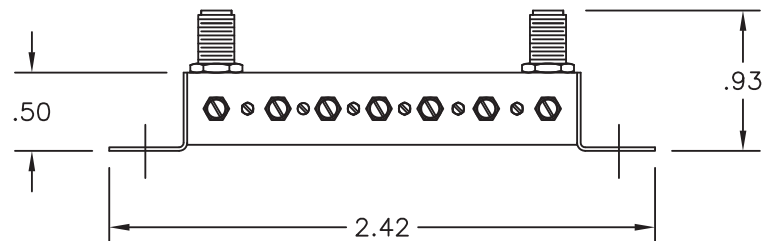
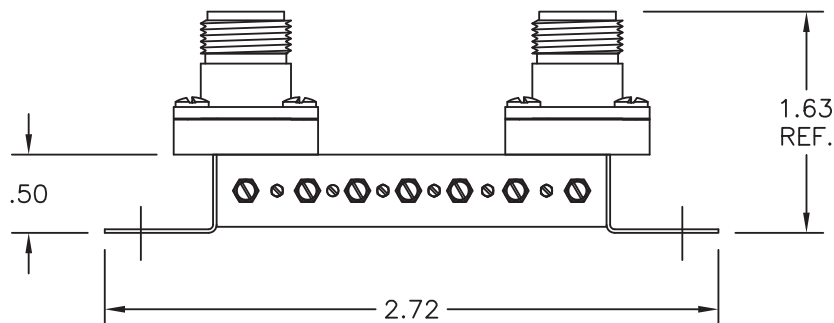
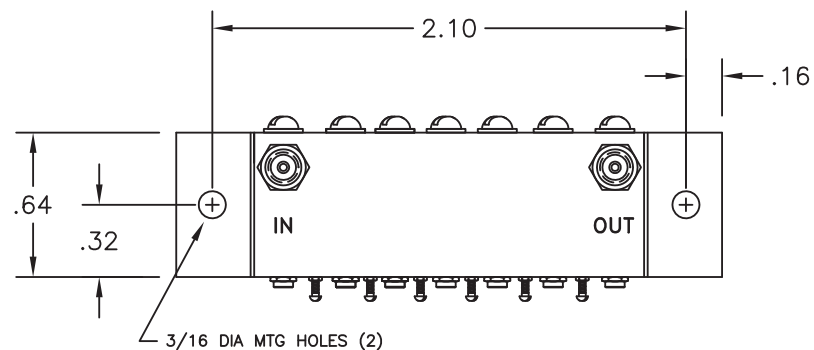
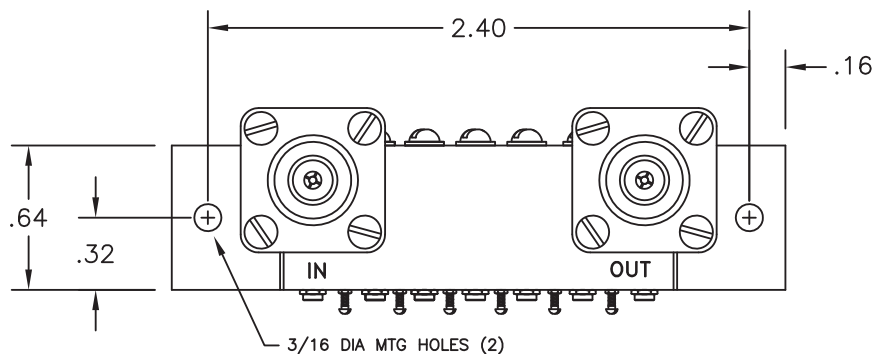


THIS DRAWING IS A SOURCE CONTROL DRAWING AND IS PROPRIETARY TO MICROWAVE FILTER CO., INC. AND
 MAY NOT BE DUPLICATED OR DISTRIBUTED WITHOUT WRITTEN PERMISSION OF MICROWAVE FILTER CO., INC.
 THIS DRAWING ALSO DESCRIBES TRADE SECRETS AND IS THE EXCLUSIVE PROPERTY OF MICROWAVE FILTER CO., INC

REVISION			
LTR	ECN	DATE	APPR'D



18781-1/18781W-1
N-CONNECTORS

18781/18781W
SMA CONNECTORS

SPECIFICATIONS

PASSBAND: 2500-2700 MHz
 LOSS: 2 db MAX
 RETURN LOSS: 14 db MIN
 REJECTION: 40 db MIN @ 2400 MHz
 40 db MIN @ 2800 MHz
 TEMPERATURE RANGE: -30°C TO +50°C
 IMPEDANCE: 50 Ohms
 CONNECTORS: SEE CHART

MODEL #	CONFIGURATION
18781	SMA FEMALE CONNECTORS
18781-1	N FEMALE CONNECTORS
18781W	SMA FEMALE CONNECTORS WEATHERIZED
18781W-1	N FEMALE CONNECTORS WEATHERIZED

ALL TOLERANCES
 UNLESS SPECIFIED ±.030

ENVELOPE DRAWING

MFC MICROWAVE FILTER CO. INC. 6743 KINNE ST. E. SYRACUSE, N.Y. 13057		FSCM27834
DATE 10/13	TITLE BANDPASS FILTER	
DWN BY M.W.	ENGINEER M. SMITH	DRAWING NO. 18781 SERIES
		REV A