

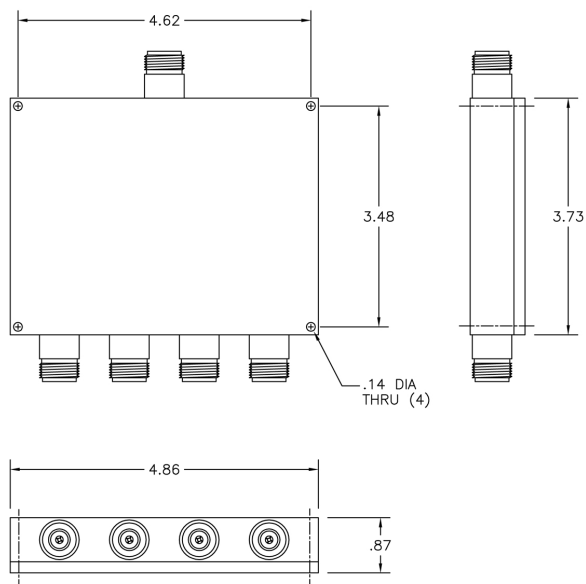


# 4 Way Power Splitter

## PD-6927-050-04NF

### Specifications:

Frequency Range:	698-2700 MHz
Insertion Loss:	6.6 dB Max
Isolation:	18 dB Min
VSWR:	1.3:1 Max
PIM:	-155 dBc @ 2 x 43 dBm
Power:	50 Watts Avg
Impedance:	50 Ohms
Connector:	N female
Operating Temp.Range:	-35°C to +65°C
Relative Humidity:	5% - 95%



**MICROWAVE FILTER CO., INC.**  
6743 KINNE STREET, E. SYRACUSE, NY 13057  
E-Mail: [mfcsales@microwavefilter.com](mailto:mfcsales@microwavefilter.com)

800-448-1666 • 315-438-4700  
Web: [www.microwavefilter.com](http://www.microwavefilter.com)