

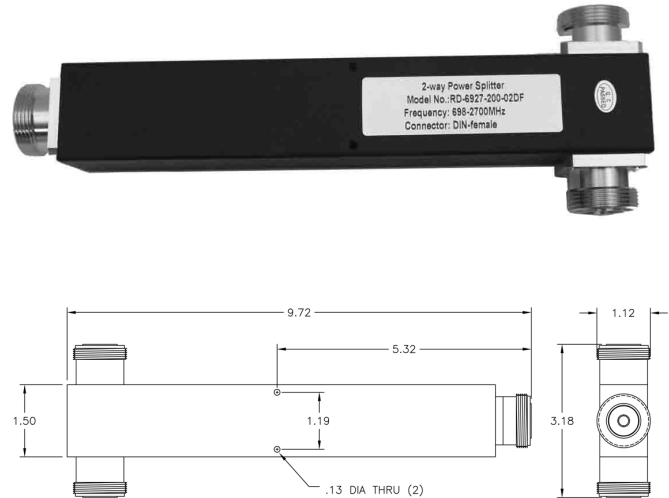


2 Way Reactive Power Splitter

RD-6927-200-02DF

Specifications:

Frequency Range:	698-2700 MHz
Insertion Loss:	3.4 dB Max
VSWR:	1.25:1 Max
PIM:	-155 dBc Min @ 2 x 43 dBm
Power:	200 Watts Avg
Impedance:	50 Ohms
Connector:	DIN female
Operating Temp. Range:	-35°C to +65°C
Relative Humidity:	5% - 95%
Ingress Protection:	IP65



MICROWAVE FILTER CO., INC.
6743 KINNE STREET, E. SYRACUSE, NY 13057
E-Mail: mfcsales@microwavefilter.com

800-448-1666 • 315-438-4700
Web: www.microwavefilter.com