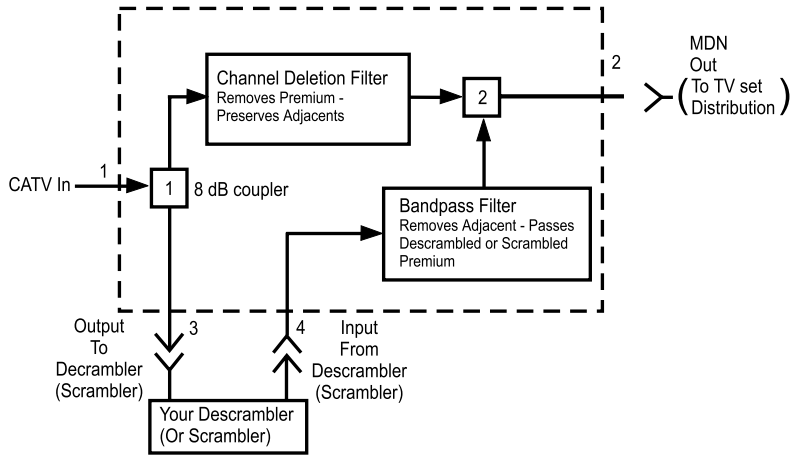


Low Cost Single Channel Mass Decrambling Network For Low Band Cable Channels

14579 Reprocessing Network - MDN



Channel #	(1-2) Insertion Loss (Typical)	Adj Carrier (1-2) Insertion Loss (Typical)	Inserted Channel (4-2) Insertion Loss (Typical)
2 to 6	12 dB	18 dB	11 dB

14579 - Channel option 2 through 6

The MDN network consists of integrated adjacent channel deletion and bandpass filters along with the appropriate splitters and directional taps for headend applications. The unit removes a scrambled channel, allows for descrambling, and facilitates the reinsertion of the same channel to the cable feed. The device splits the incoming signal selectively deleting only the desired channel from the cable feed. It then utilizes an adjacent channel bandpass filter to permit a clean insertion of the reprocessed channel back onto the cable system. All RF connections are internal to the unit with no additional wiring or power requirements, permitting easy and quick installation.

Features:

- Clean insertion of new information
- Passband to 550 MHz
- Factory wired for quick installation
- Low insertion loss

Mechanical Specifications:

Dimensions: 19" L x 1.75" H x 13" D (rack mount)
Connectors: Type F

Ordering Information:

14579 - (Channel)

Applications:

- MDU, motel, hotel, school, hospital and business
- Removal of selected channel
- Television reprocessing

Specifications:

Passbands 5-550 MHz
Return Loss 15 dB Typical