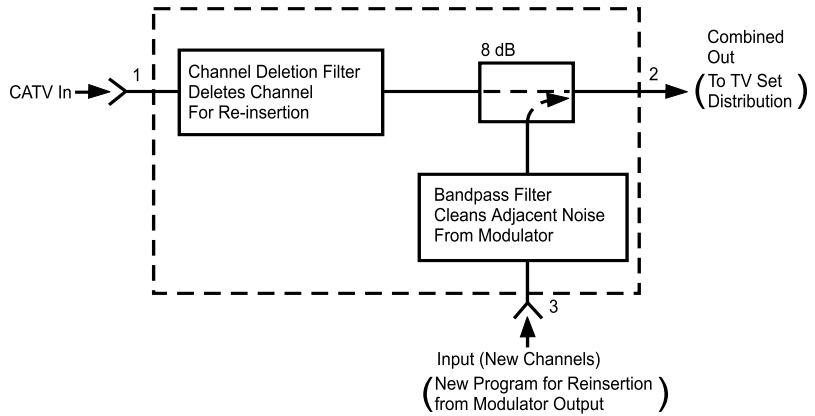


# Low Cost Single Channel CCTV Network

## For Low Band Cable Channels

14580 Reprocessing Network - CCTV



Channel #	(1-2) Insertion Loss (Typical)	Adj Carrier (1-2) Insertion Loss (Typical)	Inserted Channel (3-2) Insertion Loss (Typical)
2 to 6	1.5 dB	8 dB	12.5 dB

### 14580 - Channel option 2 through 6

The CCTV network utilizes a highly selective "brickwall" channel deletion filter to eliminate a selected cable channel. This network incorporates a selective adjacent channel bandpass filter allowing for clean insertion of new programming on the deleted channel, without affecting adjacent channels on the cable feed. All cable connections are internal to the unit with no additional wiring required, permitting easy and quick installation.

#### Features:

- Allows channel reuse, with clean insertion of new information (includes highly selective bandpass filter)
- Passband to 550 MHz
- Factory wired for quick installation
- Low insertion loss

#### Mechanical Specifications:

Dimensions: 19" L x 1.75" H x 13" D (rack mount)  
Connectors: Type F

#### Ordering Information:

14580 - (Channel)

#### Applications:

- New entertainment, instruction or security
- Removal of selected channel
- Channel reuse

#### Specifications:

Passbands ..... 5-550 MHz  
Return Loss ..... 15 dB Typical