



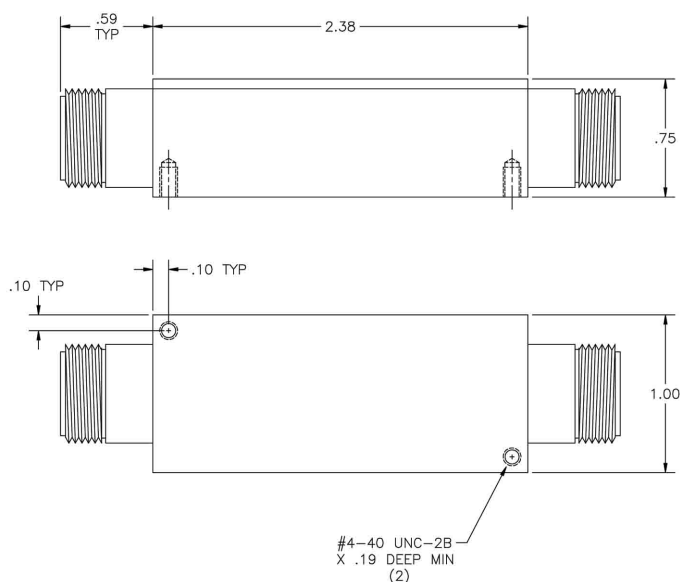
Mobile Radio (450-470 MHz) Bandpass Filter

Model 18475

This filter isolates the (450-470 MHz) mobile radio band from potential interference from nearby FM signals (88-108 MHz) and/or nearby 700 MHz band signals.

Specifications:

Passband:	450 - 470 MHz
Passband Insertion Loss:	1.5 dB Typ; 2 dB Max
Passband VSWR:	1.5:1 Max
Rejection:	80 dB Min from 88 - 108 MHz 40 dB Approx @ 720 MHz
Impedance:	50 Ohms
Connectors:	N Female
Operating Temperature Range:	+40°F to +100°F
Dimensions:	2.38" x 1.00" x 0.75" (60mm x 25mm x 19mm)



MICROWAVE FILTER CO., INC.
6743 KINNE STREET, E. SYRACUSE, NY 13057
E-Mail: mfcsales@microwavefilter.com

800-448-1666 • 315-438-4700
Web: www.microwavefilter.com