



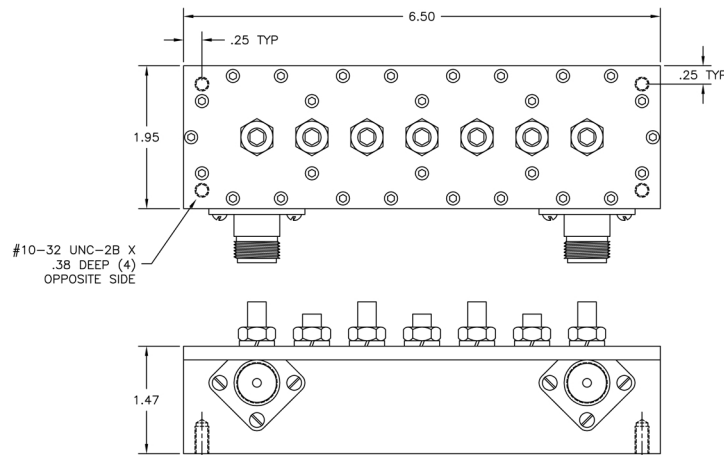
UMTS Partial Band Receive Filter

Model 18496

This filter isolates a portion of the UMTS receive band from the entire UMTS transmit band.

Specifications:

Passband Receive:	1920-1935 MHz
Passband Insertion Loss:	1.5 dB Approx
Passband VSWR:	1.35:1 Max
Rejection:	90 dB Min from 2110-2170 MHz
Impedance:	50 Ohms
Connectors:	N-female



MICROWAVE FILTER CO., INC.
6743 KINNE STREET, E. SYRACUSE, NY 13057
E-Mail: mfcsales@microwavefilter.com

800-448-1666 • 315-438-4700
Web: www.microwavefilter.com