



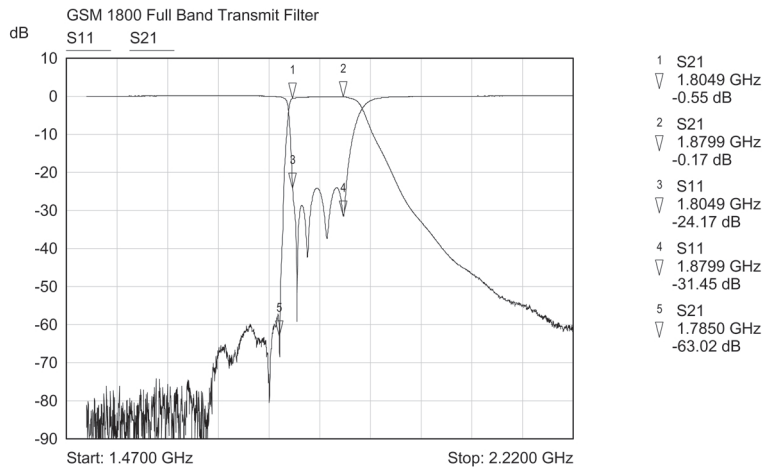
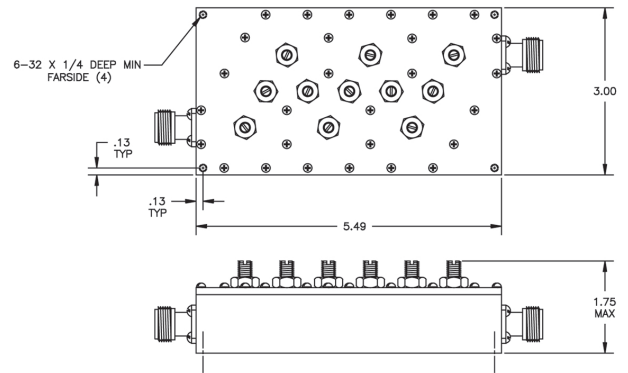
# GSM 1800 Full Band Transmit Filter

## Model 18598

This filter provides excellent isolation from the receive band with minimal transmit signal loss.

### Specifications:

Passband Transmit:	1805-1880 MHz
Passband Insertion Loss:	1.0 dB Max
Passband Return Loss:	18 dB Min
Maximum Transmit Power Handling:	100 Watts - CW 450 Watts - Peak
Receive Band Rejection:	55 dB Min from 1710-1785 MHz
Additional Rejection:	55 dB Typ @ 2110 MHz
Operating Temperature:	-20°C to +70°C
Connectors:	N-female (Standard) 7/16 DIN (Optional)
Dimensions:	5.49" x 3.00" x 1.75" (139mm x 76mm x 44mm)



**MICROWAVE FILTER CO., INC.**  
 6743 KINNE STREET, E. SYRACUSE, NY 13057  
 E-Mail: [mfcsales@microwavefilter.com](mailto:mfcsales@microwavefilter.com)

800-448-1666 • 315-438-4700  
 Web: [www.microwavefilter.com](http://www.microwavefilter.com)