



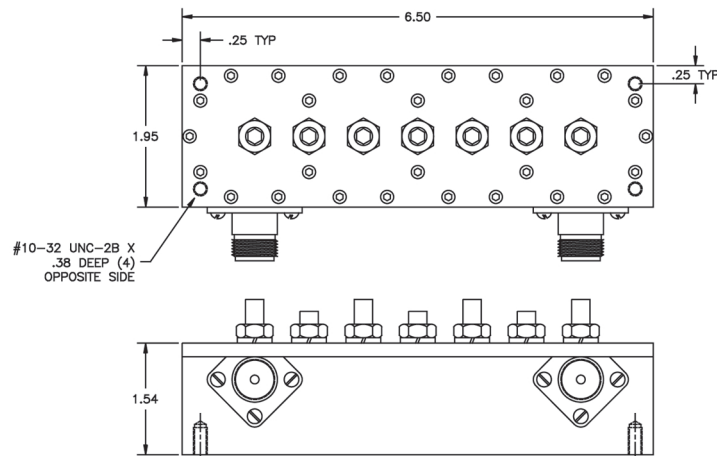
GSM 1800 Partial Band Receive Filters

Model 19081

This filter isolates a portion of the GSM 1800 band from a portion of the GSM 1800 transmit band.

Specifications:

Passband Receive:	1735-1755 MHz
Passband Insertion Loss:	1.0 dB Approx
Passband VSWR:	1.35:1 Max
Rejection:	60 dB Min from 1830-1850 MHz
Impedance:	50 Ohms
Connectors:	N-female



MICROWAVE FILTER CO., INC.
6743 KINNE STREET, E. SYRACUSE, NY 13057
E-Mail: mfcsales@microwavefilter.com

800-448-1666 • 315-438-4700
Web: www.microwavefilter.com